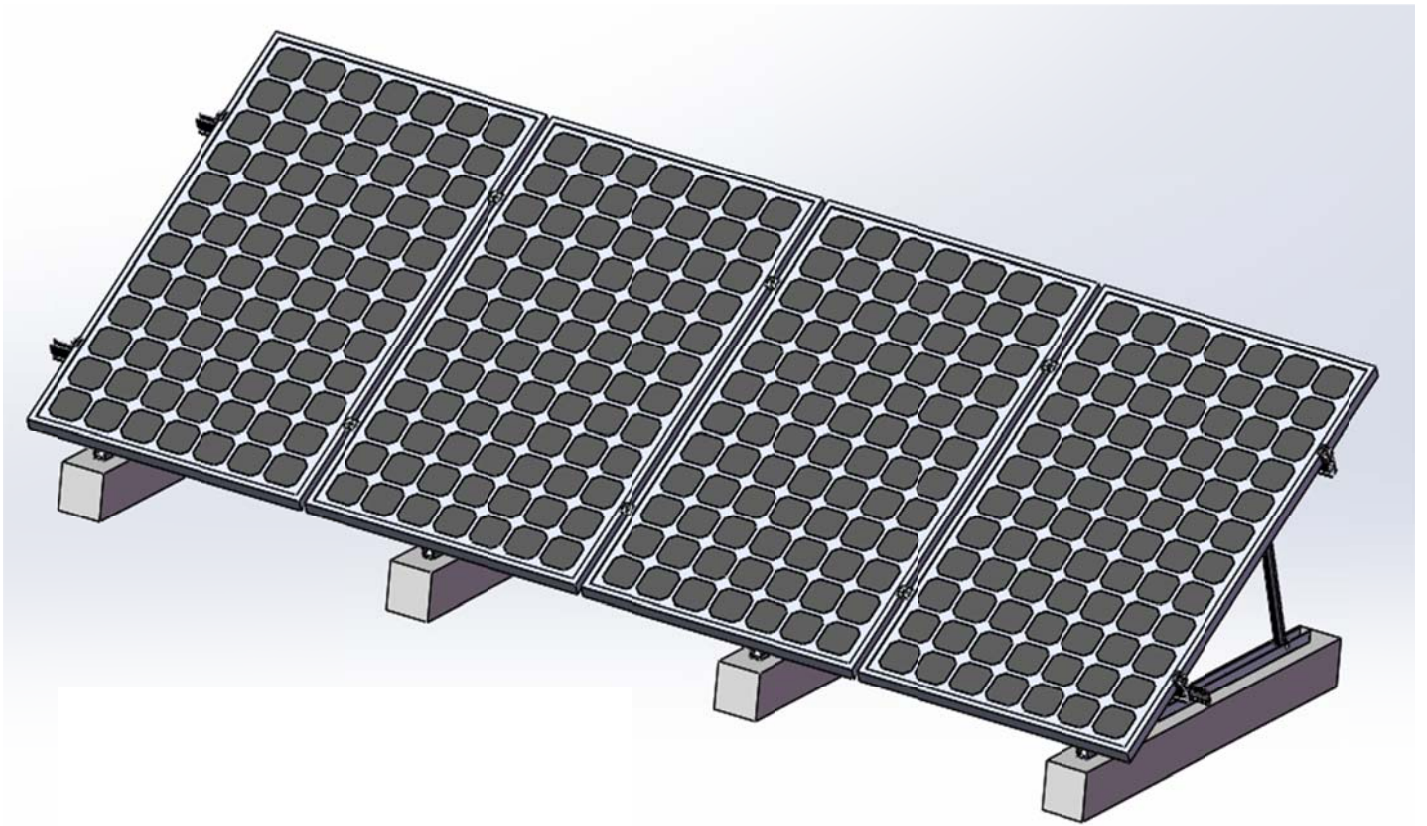
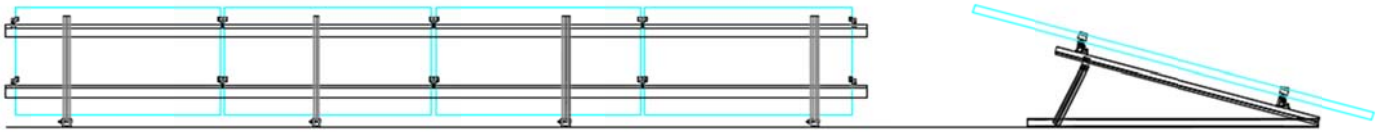


Tripod System Installation Manual



Engineer Drawing



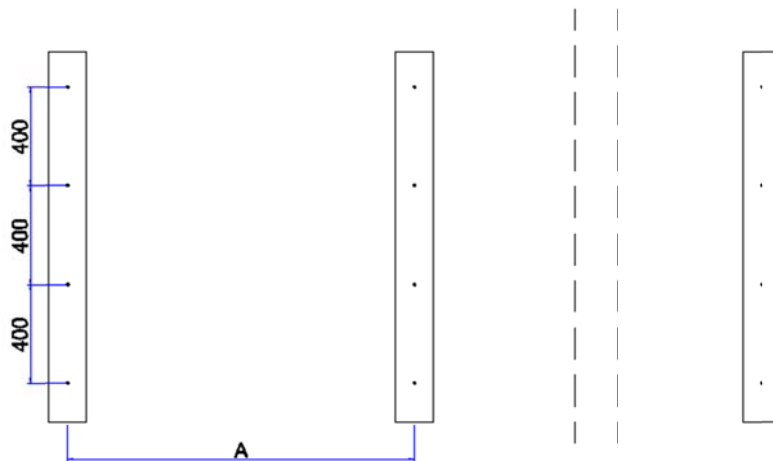
Installation tool

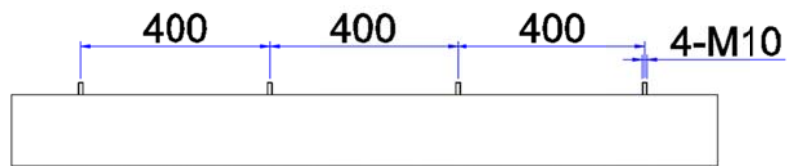


Install Step:

Positioning foundation

According to the drawing, confirm the foundation space.

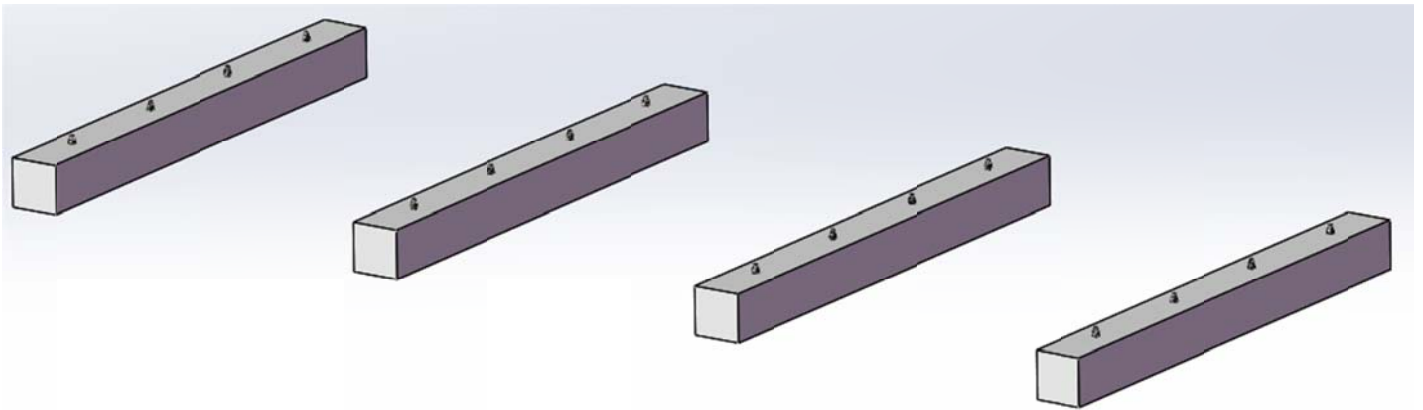




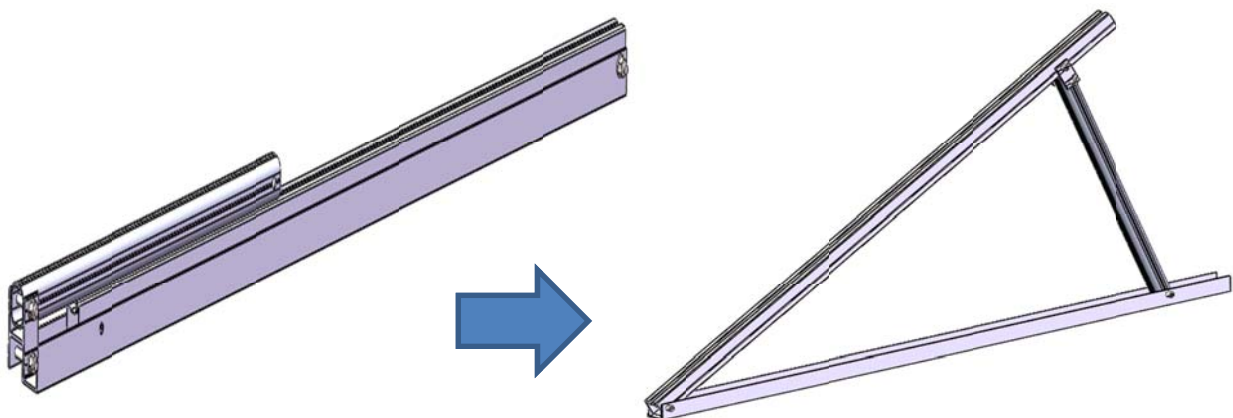
Embedded bolt:

M10 Bolt, Length \geq 120, Length beyond the top of the Concrete 25~35mm, Embedding length at least 70mm

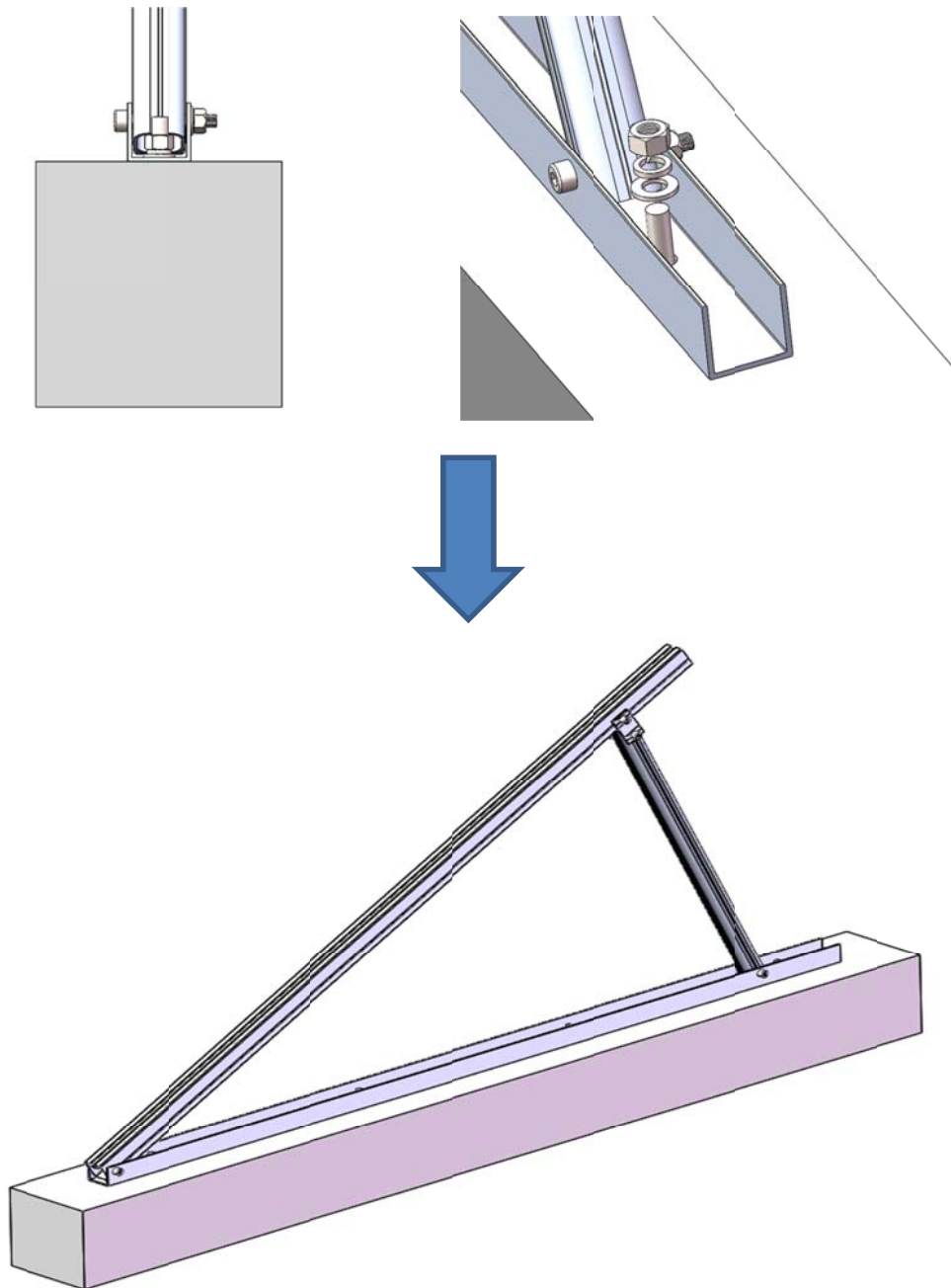
Foundation finished as below



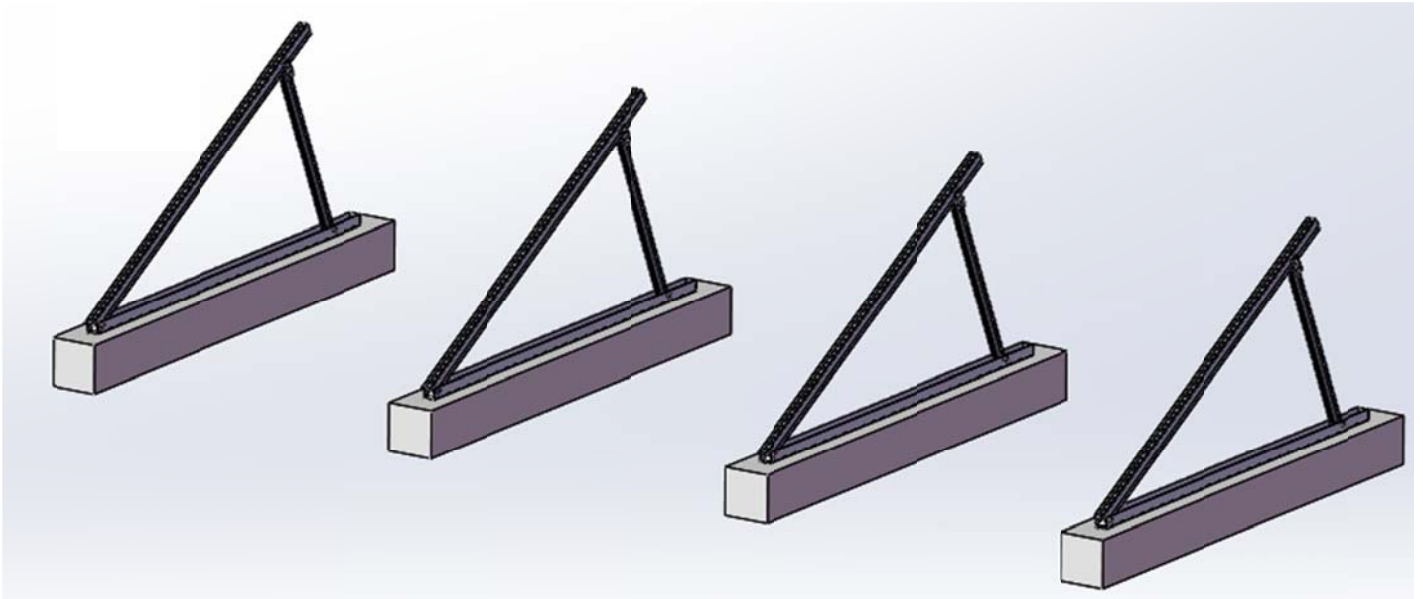
Unfasten the pre-assembled leg.



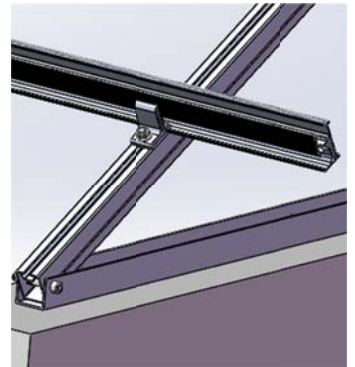
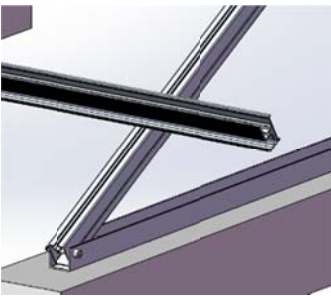
Connect Tripod to Foundation



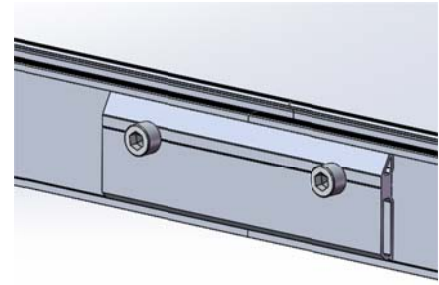
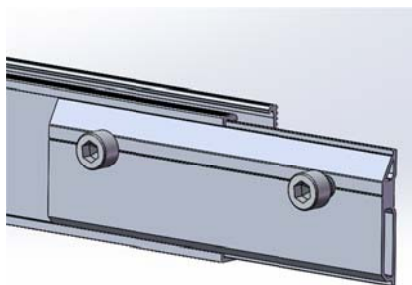
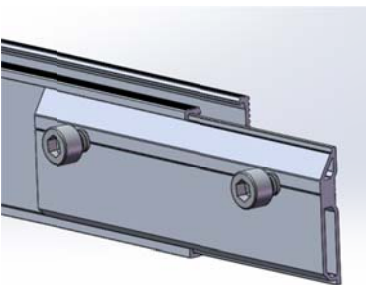
Repeat the above operation in accordance with the planned array layout.

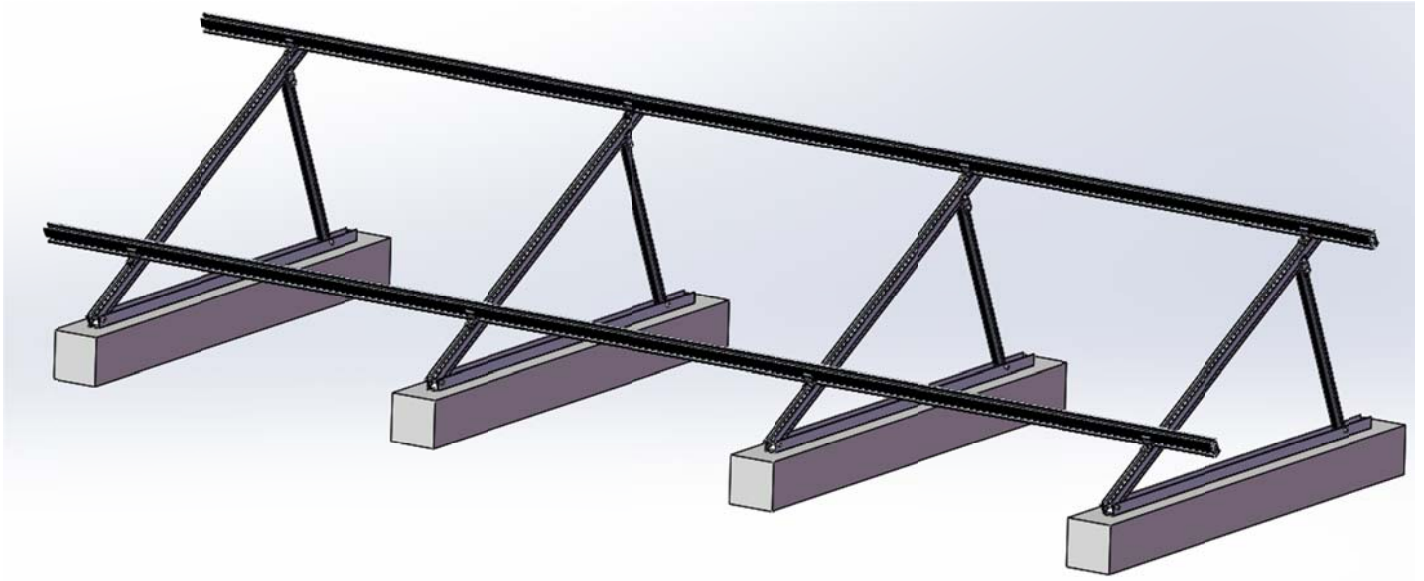


Installing Rail

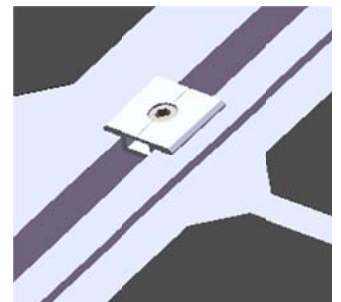
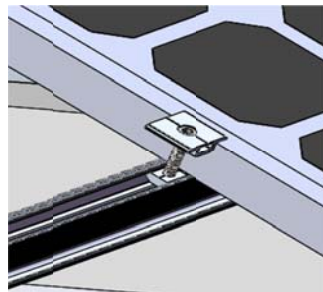
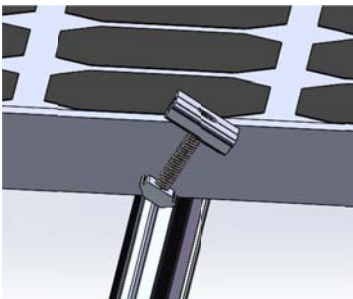
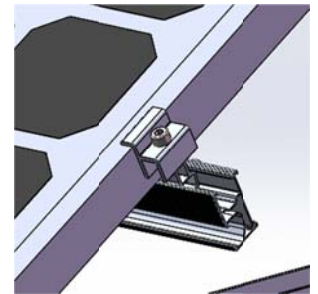
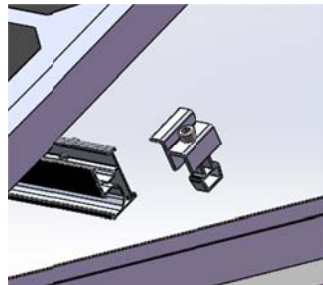


Two Rails Connect





Installing Panel



Add: 203A, Norinco Business Plaza, NO.6 Huli Avenue, Huli District, Xiamen, China

Web: www.enerack.com

Mail: info@enerack.com

Tel: +86-592-5669285

Fax: +86-592-5669235

